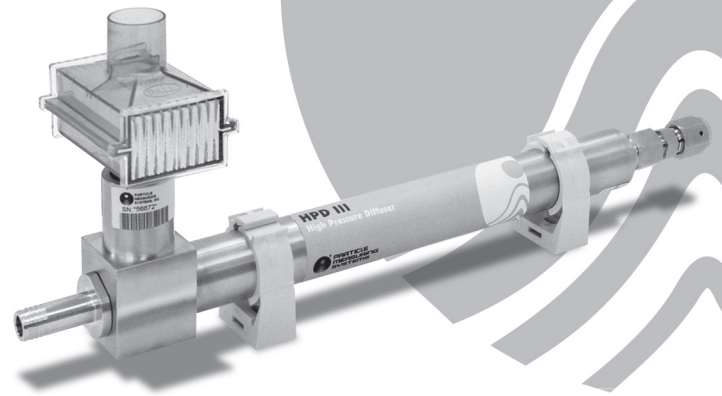


# HPD III High Pressure Diffuser

## Aerosol Monitoring Accessory

The High Pressure Diffuser reduces the pressure of dry, inert, non-toxic, non-flammable gases, such as Clean Dry Air (CDA), Argon and Nitrogen to a level acceptable to particle counters designed to operate at atmospheric pressure.



### BENEFITS

#### Benefits

- Measures gases from 25 to 100 psi
- No external flow meters needed
- Measures particles as small as 0.3 um
- Low contamination, less than 5% of ISO Class 5 cleanliness

#### Cost Effective

- Economical monitoring of pressurized gases with atmospheric pressure particle counters

#### Flexible

- Can be used with Clean Dry Air, Argon, Nitrogen or other non-toxic inert gases
- Three different versions for 0.1 CFM, 1.0 CFM and 50 LPM flow rates

### FEATURES

- No moving parts to wear
- Connects via male 4-VCR fitting
- Exhaust filter included reduces contamination when no flow is present
- Mounting clamps supplied
- Stainless steel construction

### COMPATIBILITY

- For use with:
  - Lasair II particle counters 310A, 310B, 510A, 350L, and 550L
  - Airnet particle sensors 310, 510, 510 OPC, 510XR, and 510XR OPC
  - Airnet particle sensors 301, 301 OPC, 501, and 501 OPC
- Three different HPD III versions dependent upon flow rate

**Without measurement, there is no control.**



# Specifications

## HPD III High Pressure Diffuser

<b>Pressure:</b>	25-100 psi
<b>Flow rate:</b>	Options for 0.1 CFM, 1.0 CFM or 50 LPM
<b>Temperature Range:</b>	typical: 4° - 35°C; 0-85% RH non-condensing
<b>Material:</b>	Stainless steel body with Ruby orifice, Buna-N o-rings, exhaust filter
<b>Sample Gas:</b>	Dry, inert, non-toxic, non-flammable gases (CDA, Nitrogen, Argon)
<b>Inlet fitting:</b>	Male 4-VCR fitting
<b>Exhaust fitting:</b>	Barb fitting 0.5" ID, 0.375" ID, 0.125" ID dependant upon configuration
<b>ISO Class:</b>	Less than 5% of ISO Class 5
<b>Tubing length:</b>	1 meter (39.4 inches)
<b>Dimensions:</b>	15" x 2.75" x 5.5" (38 cm x 7 cm x 14 cm)
<b>Weight:</b>	2.7 lbs (1.25 kg)
<b>Compatible Instruments:</b>	LASAIR® II particle counter: 310A, 310B, 510A, 350L, and 550L Airnet® particle sensor: 310, 510, 510 OPC, 510 XR, and 510 XR OPC Airnet® particle sensor: 301, 301 OPC, 501, and 501 OPC

LASAIR® and Airnet® are registered trademarks of Particle Measuring Systems, Inc.  
**System Components Included:** mounting brackets and exhaust tubing to particle counter  
**Not included:** particle counter, ISPs, sample tubing, communications cables (manifold to monitor), PC, Facility Net or Pharmaceutical Net software.

### AUTHORIZED REPRESENTATIVE



Ph: +92-21-35447007  
Fax: +92-21-35445095  
Email: info@biotroll.net.pk  
Email: biotroll@khi.wol.net.pk  
Website: www.biotroll.net.pk



Registration applies to the Boulder, Colorado facility



Particle Measuring Systems Headquarters  
5475 Airport Blvd., Boulder, CO 80301  
1-303-443-7100 1-800-238-1801 Fax: 1-303-546-7331  
Instrument Service & Support: 1-800-557-6363  
Customer Response Center: 1-877-475-3317

Particle Measuring Systems Europe  
Tel: +44 1684 581000  
PMSEurope@pmeasuring.com

Particle Measuring Systems Japan  
PMSJapan@pmeasuring.com

Particle Measuring Systems Asia Pacific  
PMSAsiaPacific@pmeasuring.com

Particle Measuring Systems Singapore  
Tel: +65 6496 0330  
PMSSingapore@pmeasuring.com

Particle Measuring Systems China  
PMSChina@pmeasuring.com

Particle Measuring Systems Mexico  
PMSMexico@pmeasuring.com

Particle Measuring Systems Puerto Rico  
PMSPuertoRico@pmeasuring.com